



marine control services

– on duty for the chief engineer

Automation Retrofit



EVOLUTION V5

NEXT GENERATION INTEGRATED AUTOMATION SYSTEM



Turn-Key Retrofit Solutions

MCS delivers complete solutions for all obsolete automation systems:

- Cargo Control System
- Level Measurement System
- Power Management System
- Integrated Automation System
- Small Alarm System

Some of our retrofitted systems are:

Datachief DC-7 & DC-1000, RICOMM 2700, Carlo Gavazzi, Asly-8, Autronica, CMR, SIMOS/Siematic, Decca ISIS, Damatic Classic, Praxis, MACON 100, BBC, Fucheng, Matre, SELMA

Why choose MCS and Evolution V5?

- Free survey onboard
- New systems fit into existing structures
- Reduction of life cycle cost
- 30 years technical experience
- Galvanic insulation and earth fault supervision on all I/O cards



EVOLUTION V5

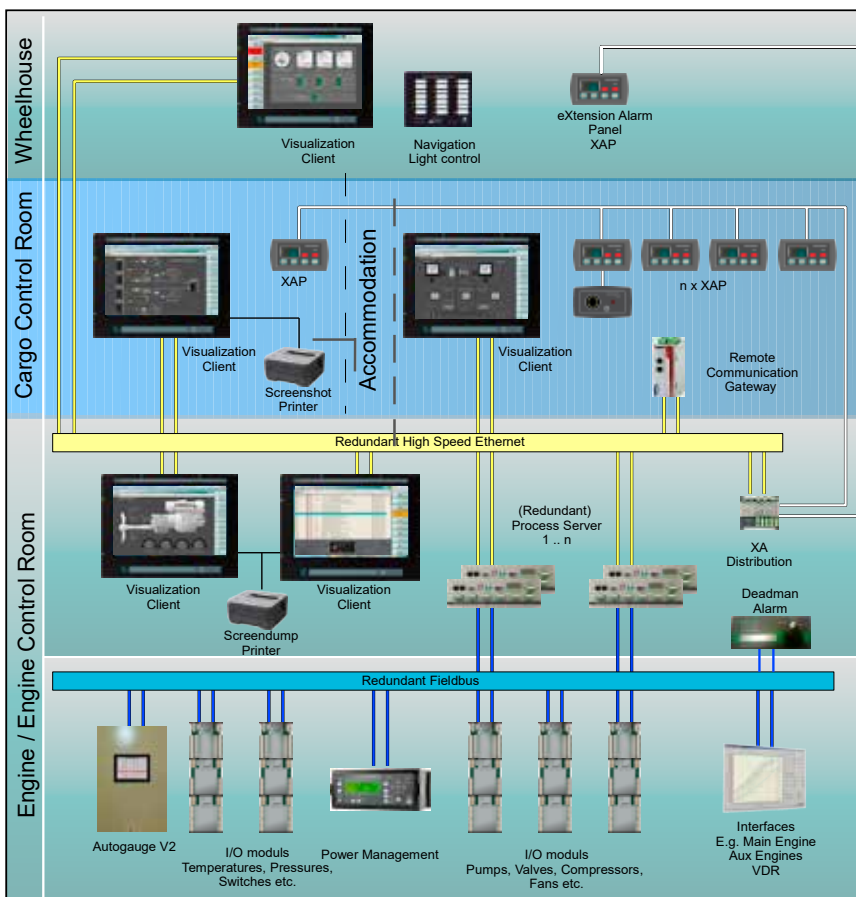
EVOLUTION V5

– The next generation integrated ship automation

This is the right choice for every vessel. Evolution V5 is the fifth generation of, a well proven technology.

Starting back in 1984 with the first micro controller based exhaust gas monitoring system, via different generations as Camos and Vista, we are now in the forefront of technology with the Evolution V5.

A rugged hardware and software platform, combined with the best service organization there is, makes MCS Evolution V5 the perfect choice for every vessel.

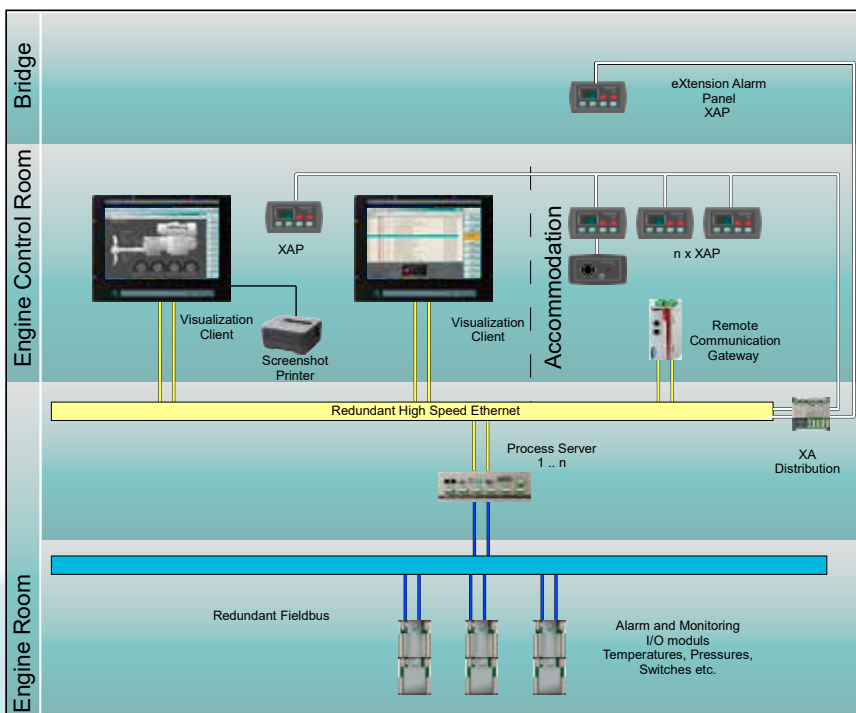


EVOLUTION V5

– Alarm system

By using type approved hardware, we are able to deliver also smaller alarm systems.

Due to the flexibility in our Evolution V5 we can also supply products for the smallest freestanding application. Examples are exhaust gas supervision, FO measurements and bearing supervisions.



Service and Remote Assistance

Our service concept is as simple and efficient as our slogan:
“On duty for the Chief Engineer!”

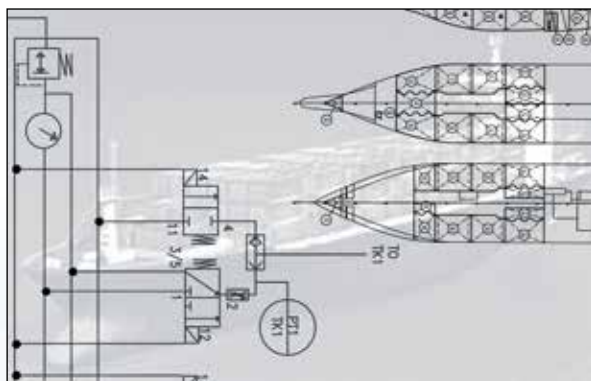
*24/7 Service – no call center
– only direct line to technical expertise!*

Remote Assistance Service is used for all our automation systems. The cost of travelling is taken away, and our response time is minimized. Available either for hire or sale.



Components for integration

- Dead Man System
- BNWAS System
- Emergency Telegraph System
- Signal Light Column
- Level Gauging System
- Pocket Paging
- SMS Alert
- Remote Assistance



MCS

Marine Control Services AS

Øvre Eikervei 83,
3048 Drammen, Norway

Tel.: +47 32 89 61 10
E-mail: post@mcs.no
www.mcs.no